



# TITAN LONG-N-LITE

## Steel Trench Box

### Specialty Trench Boxes | Titan Series

Long, light and strong. The Titan Long-N-Lite special trench boxes brings two worlds together: long pipe and lighter excavators. Now you can lay longer pipe without increasing your equipment cost. Our innovative engineering allows for thicker steel on the perimeter, where it's needed, while the continuous vertical and horizontal formed steel members give extreme strength in the trench. Its all-steel design features pounding pads, reinforced knife edge, as well as continuous horizontal and vertical steel members, for maximum durability and life in the trench.

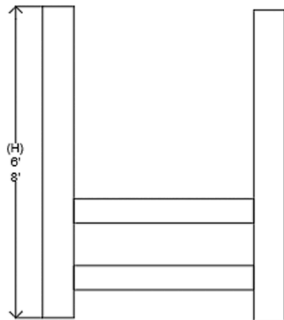
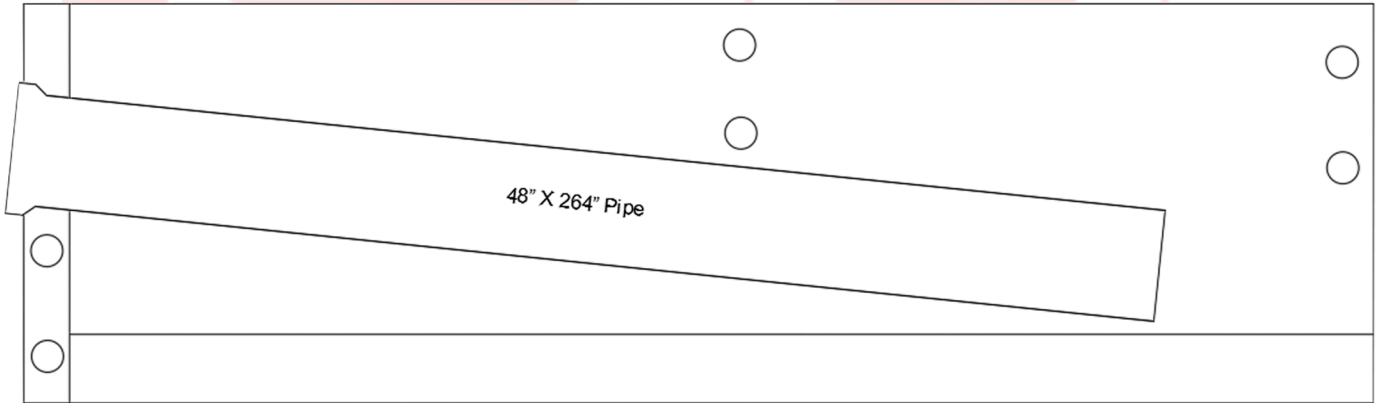
Category	Titan 5 Long-N-Lite
Excavator Weight Range	36K to 45K
Production Depth	8' to 16'
Side Wall	5"
Knife Edge Taper	18"
Strong Pipe Sockets	5"
Thick Pounding Pads	3/4"
Solid Stacking Lug Bar	2-1/2"
Cutting Bar	1/2" x 3"

Titan 5 Long-N-Lite						
	6'	Shield, WT	Machine, WT	8'	Shield, WT	Machine, WT
Length	24' - ST	5345	36K	24' - K	6700	45K

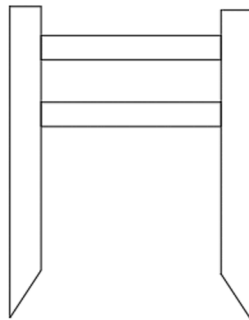
### Features & Benefits

- P.E. Certified
- Tabulated Data
- O.S.H.A. Compliant
- 1/2" x 3" Cutting Bar
- 3/8" x 3" Cutting Bar
- 5" Solid Steel Sockets
- One C Soil Depth Rating
- Easy Slide Outside Edge
- Internal Stacking System
- 3/8" Thick Pounding Pads
- Internal Pounding Members
- 2-1/2" Solid Stacking Lug Bar
- Reinforced Through Wall Sockets
- Vertical Reinforced Pounding Area
- Stacking Lugs – inside shield for safe installation
- Formed Steel Design with Continuous Steel Members
- Internal Shelving – for storage of tools and miscellaneous items
- 18" High-Tapered, Reinforced Knife Edge – for more room in the pipe zone
- Lift Points and Light Weight Design – for easy handling, positioning and movement in the trench

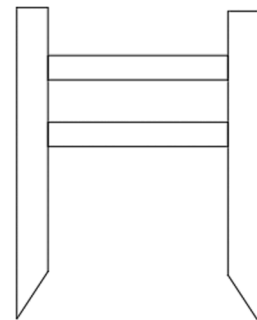
#### HOW TO USE



FRONT



MIDDLE



BACK